

# YOU CAN'T SMELL SMOKE IN YOUR SLEEP

Only working smoke  
alarms save lives.

## JULY 2023: PREVENTING FIRES IN THE HOME

Home Fires Safety - Safe use of lithium-ion batteries

You do not need to be at home for there to be a house fire

Western Australians are urged to not leave e-Rideables and other household items containing lithium-ion batteries charging overnight or when they are not at home due to their potential to overheat and cause devastating home fires.

Batteries can overheat when left on charge or when they are faulty. Once the battery explodes, it can end up metres from where it was charging, and a small fire can spread quickly engulfing an entire home in just minutes.

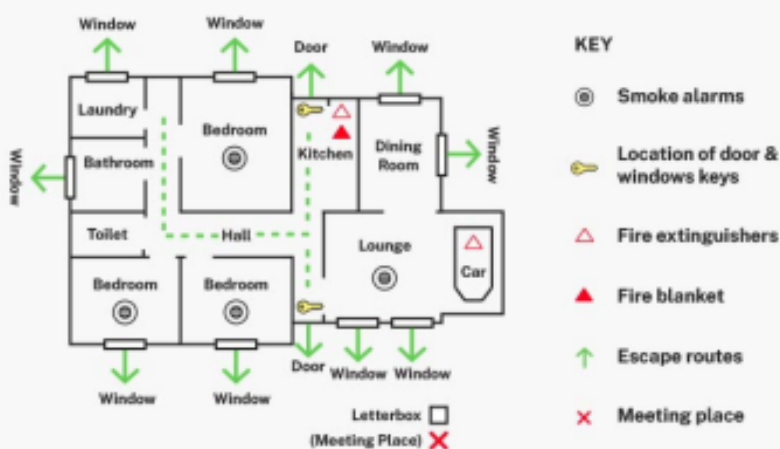
Fire investigators are seeing a rise in the number of fires caused by lithium-ion batteries where the home has either been significantly damaged or completely destroyed.

Here are a few things you can do to protect you and your home from a house fire:

- Check electrical items and cords for signs of wear and tear before using them. Don't use damaged or dented equipment.
- Never leave batteries charging when no one is home, or in unsupervised areas such as garages.
- Make sure when charging batteries they are placed on a hard surface, and are not left charging on bedding, couches, carpets or clothing.
- Don't leave batteries charging once they have reached 100% as they can overheat.
- Take care when purchasing batteries or devices online or second-hand. Replacement batteries and electrical cords should only be purchased from reputable companies.
- Batteries are classed as hazardous waste and should never be placed in your kerbside bins. You can find your nearest battery recycling bin by contacting your local government or visiting [recyclerright.wa.gov.au](https://recyclerright.wa.gov.au).

For more information visit [Preventing a fire in the home - Department of Fire and Emergency Services \(dfes.wa.gov.au\)](https://www.dfes.wa.gov.au).

## Home Fire Escape Plan



A small fire can engulf an entire room in two to three minutes, leaving little time to escape.

Making a home fire safety plan with your household is simple and could save your life.